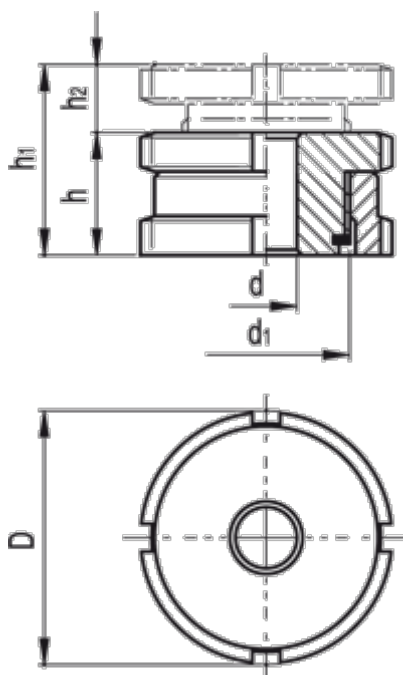


Article number: 20665172

Description: E+G Levelling set
GN 350.1-32-6.6-NI

Measures



C-spanner DIN 1810 = A30-32

d = 6.6

D = 32

d1 = M20x1

For screw = M6

h = 18

h1 = 23

h2 = 5

Max static load (N) = 43.4

Static preload (N) = 36.6

Weight (g) = 93